

# SPECIFICATIONS

GLS E4-P40-XX-XX

## 1. Part Code

**GLS - E4 - P40 - XX - XX**

Series \_\_\_\_\_  
E4: **Total Solution for Your Lighting**

Power Class \_\_\_\_\_  
P40: 40 Watt Engine

Beam Engle \_\_\_\_\_  
45: 45 degree  
80: 80 degree  
DF: diffuse type

Voltage \_\_\_\_\_  
24 : 24V  
48 : 48V

## 2. Features

### 2-1 .Benefits

- Compact High-Flux light source
- IP66 protection for long life time
- Fast realization of energy efficient lighting

### 2-2. Applications

- High bay
- Industrial lighting
- Street lighting

### 2-3. Technical Features

- Powered by four high power GLS LEDs R4®
- Technical Data indicates minimum luminous flux for  $T_{BASE}=40^{\circ}C$
- Up to 50,000 hours engine life time (L70)
- Dimension: 100 x 90 x 20 mm<sup>3</sup>
- IP66 protection for outdoor applications
- Assembly with M2.6 screw on metal heat sink
- 2 connecting wires 250mm

# SPECIFICATIONS

GLS E4-P40-XX-XX

## 3. Preliminary Data Sheet



45 Degree



80 Degree



Diffuse

T<sub>c</sub>=25°C

Product	Color	Number of LEDs	Voltage [V DC]	Current [mA]	Power [W]	Radiance Angle [°]	Color Temp [K]	Lum. Flux [lm]
GLS-E4-P40-45-48	white	4	48	840	40	45	5,000	3,528
GLS-E4-P40-80-48	white	4	48	840	40	80	5,000	3,528
GLS-E4-P40-DF-48	white	4	48	840	40	diffuse	5,000	3,136
GLS-E4-P40-45-24	white	4	24	1680	40	45	5,000	3,528
GLS-E4-P40-80-24	white	4	24	1680	40	80	5,000	3,528
GLS-E4-P40-DF-24	white	4	24	1680	40	diffuse	5,000	3,136

# SPECIFICATIONS

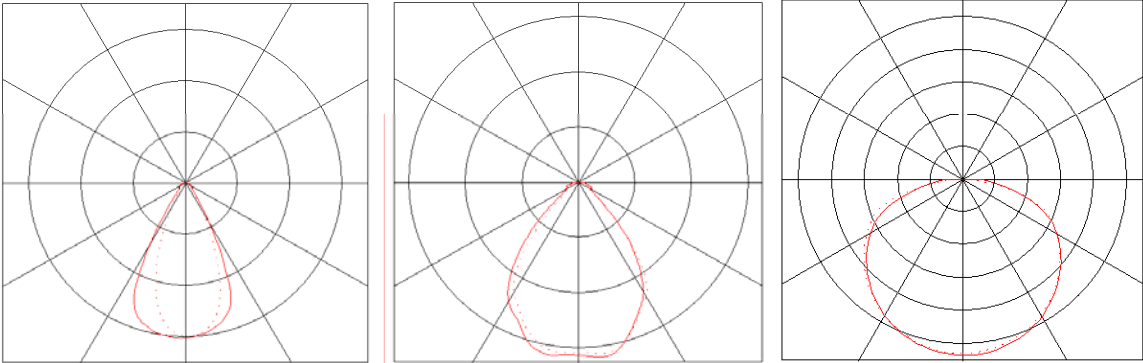
GLS E4-P40-XX-XX

## 4. Performance

### 4-1. Absolute Maximum Rating

Product	Operating Temp. at T <sub>BASE</sub> -Point [°C]	Storage Temp. [°C]	Max. Current [mA dc]	Reverse Voltage [V dc]
GLS-E4-P40	-30 ~ 80	-30 ~ 80	1,080	0.1

### 4-2. Radiation Characteristics



45 Degree

80 Degree

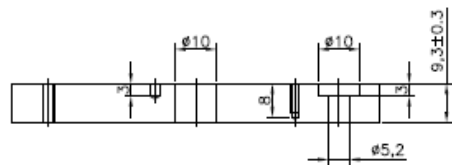
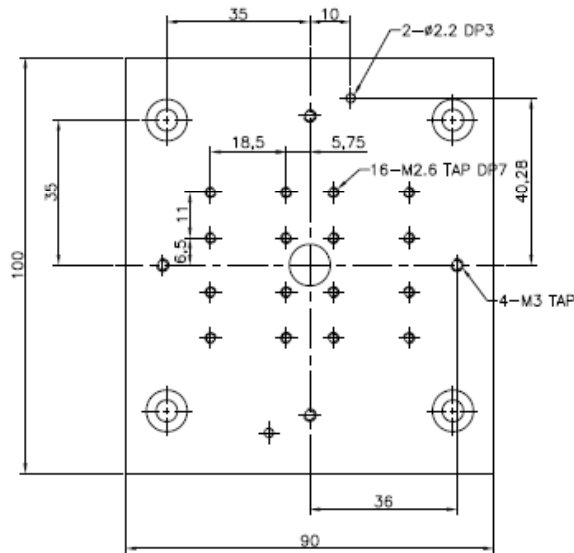
Diffuse

Approved	Checked
Hyunmin Kim 2010/5/3	Jihoon Kim 2010/5/3

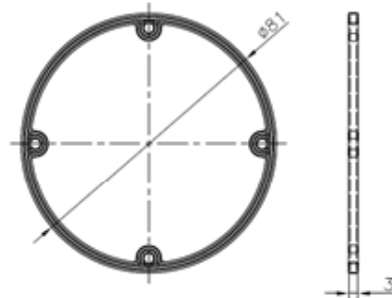
# SPECIFICATIONS

GLS E4-P40-XX-XX

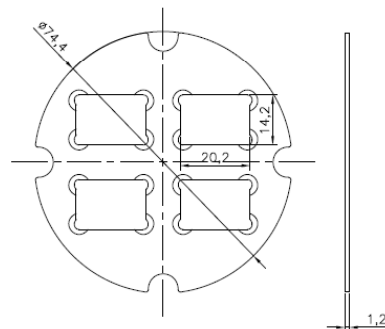
## 5. Drawing



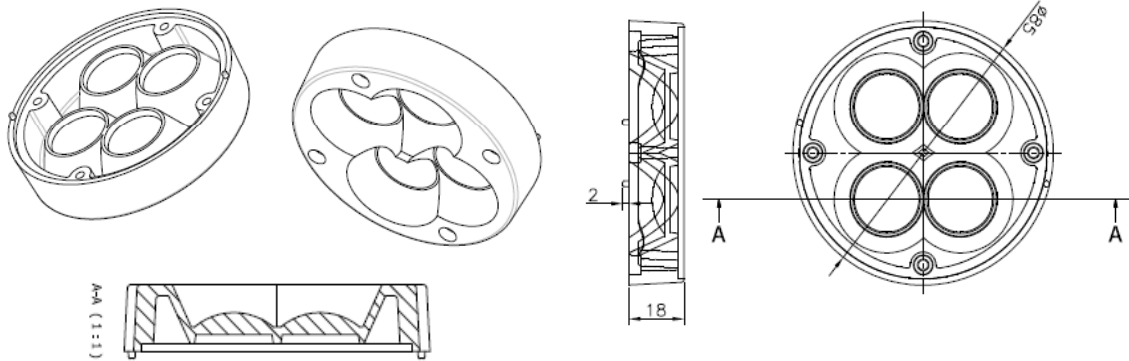
(Heating Plate)



(Rubber Ring)



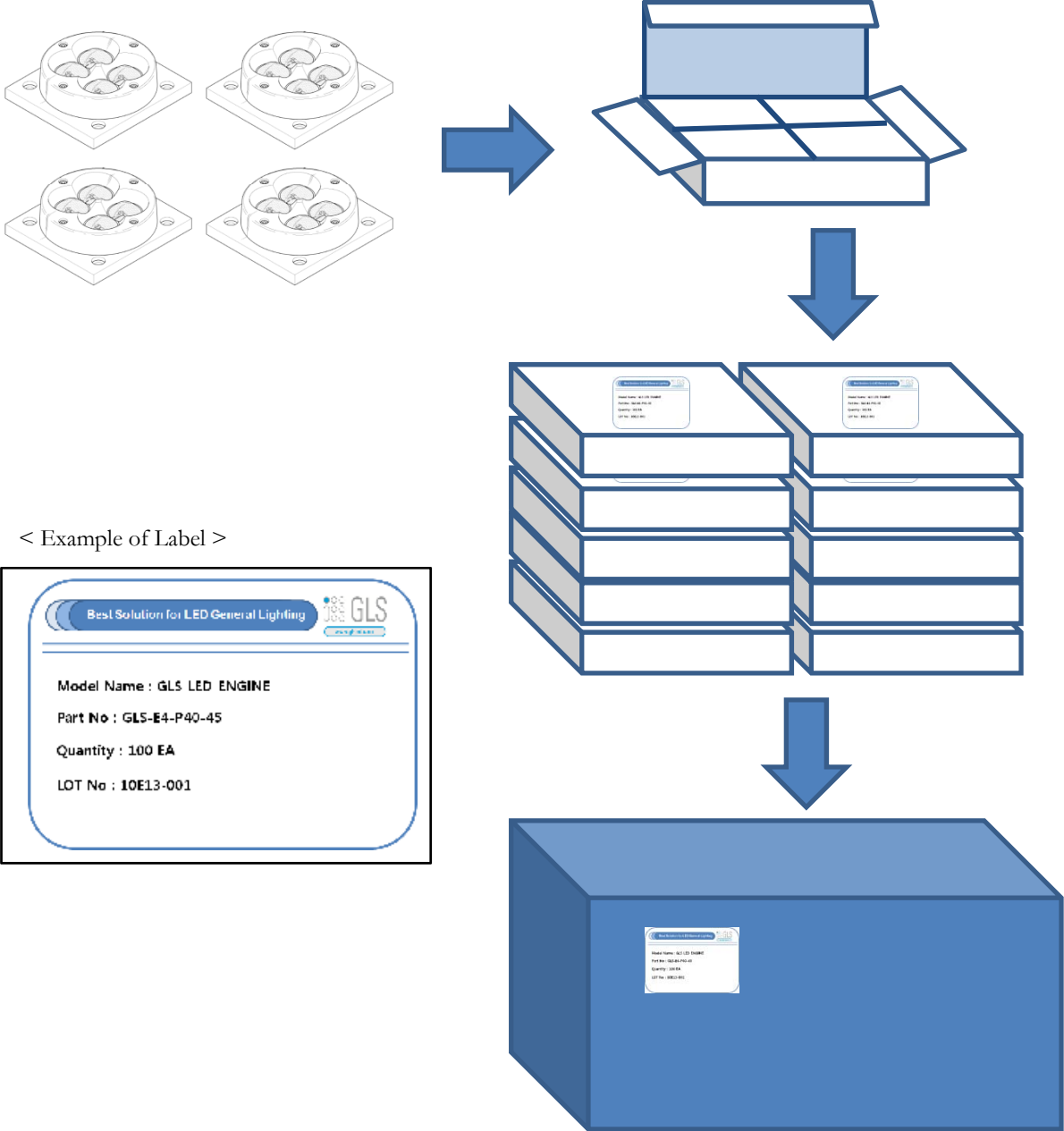
(PCB)



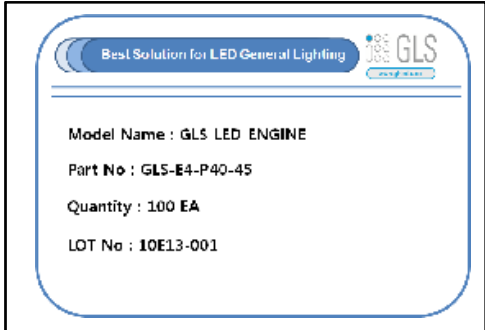
(LENS)

Approved	Checked
Hyunmin Kim 2010/5/3	Jihoon Kim 2010/5/3

6. Packing



< Example of Label >



Approved	Checked
Hyunmin Kim 2010/5/3	Jihoon Kim 2010/5/3